



SUBJECT: BIOLOGY

CHAPTER: 6

CHAPTER NAME: THE CIRCULATORY SYSTEM.

PERIOD-4

---

**CHANGING YOUR TOMORROW**

---

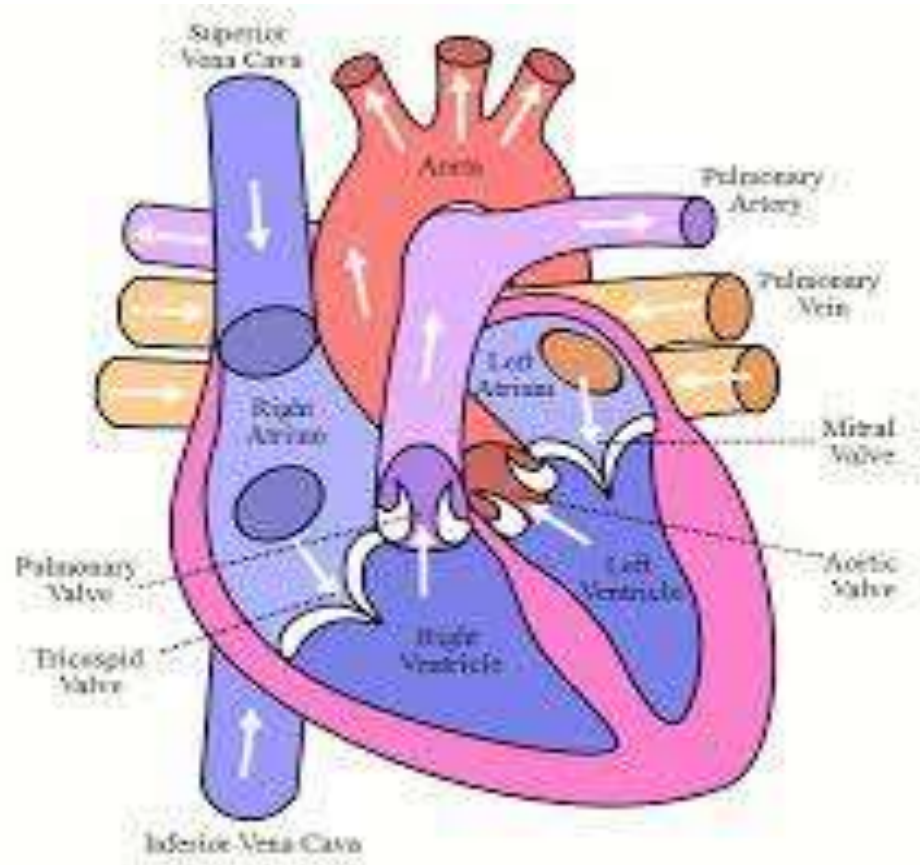
Website: [www.odmegroup.org](http://www.odmegroup.org)

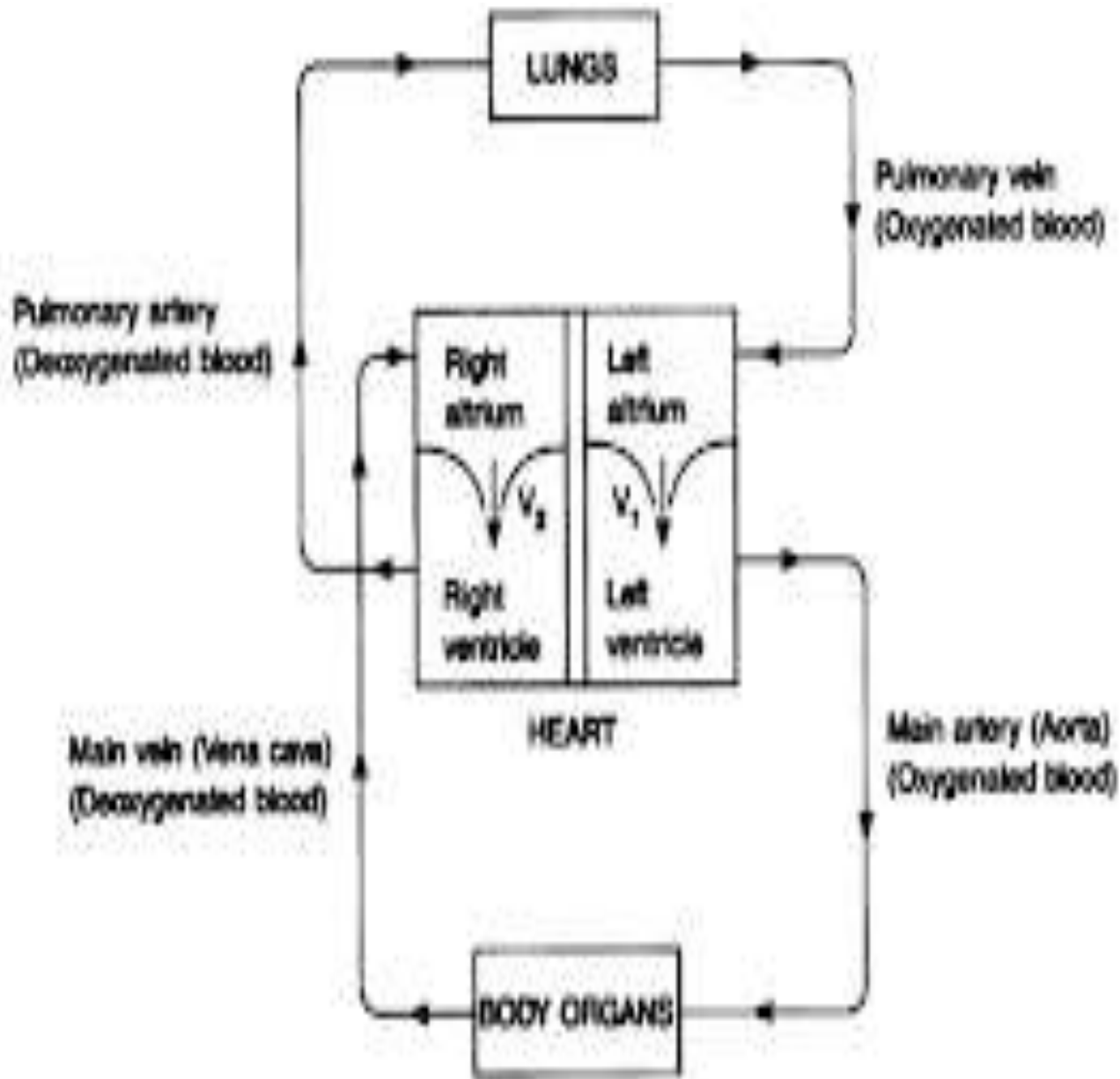
Email: [info@odmps.org](mailto:info@odmps.org)

Toll Free: **1800 120 2316**

Sishu Vihar, Infocity Road, Patia, Bhubaneswar- 751024

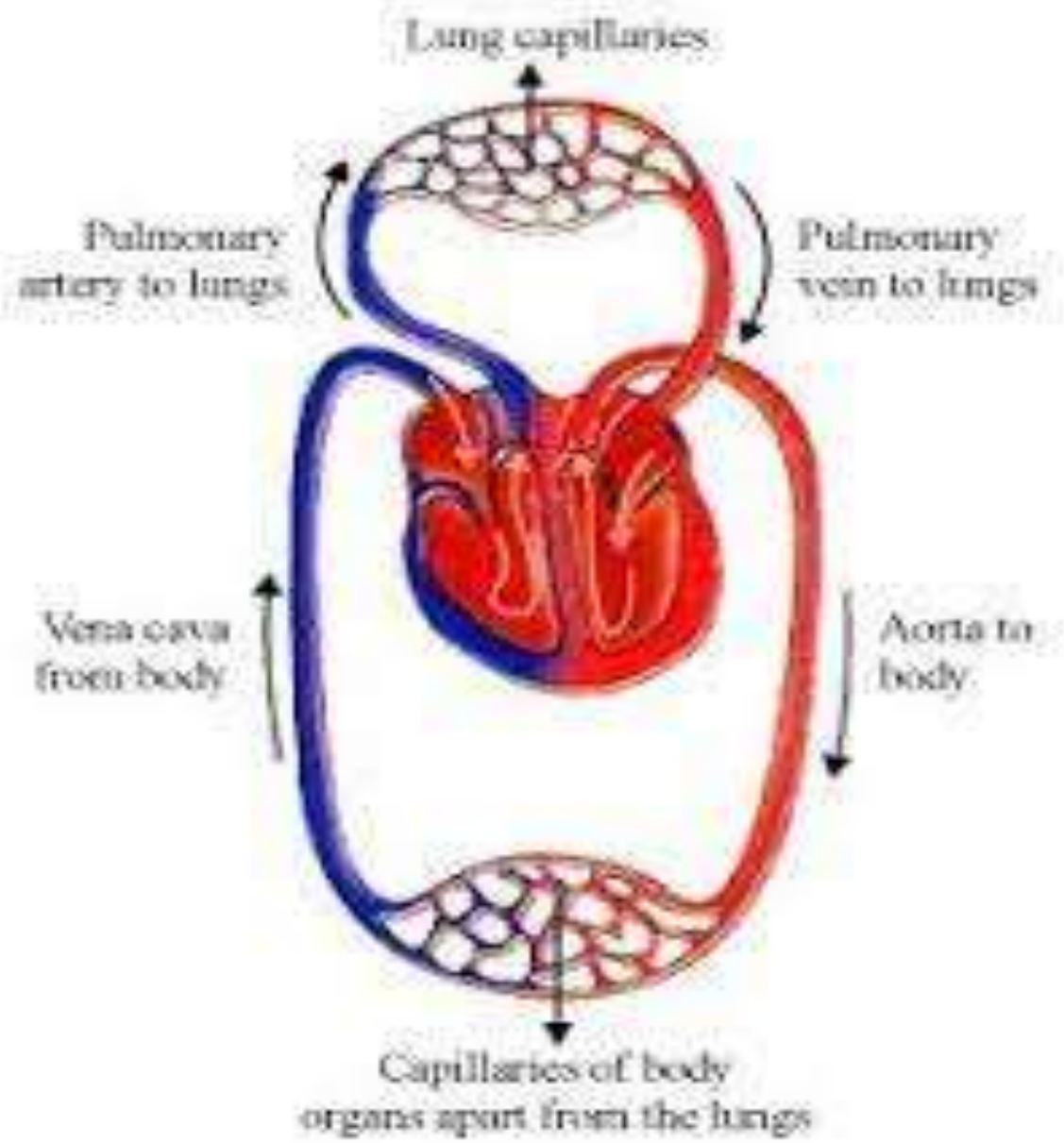
# Blood circulation





## Double circulation

- The blood circulation in human beings is an example of double circulation
- In human circulatory system the blood from heart to the lungs and back to the heart is called pulmonary circulation and the blood from the heart to the rest part of the body back to the heart is called systemic circulation. This two types of circulation taken together make double circulation.



- <https://www.youtube.com/watch?v=SwHjwO7BnsI>

THANKING YOU  
ODM EDUCATIONAL GROUP.

