

Chapter-8

MEASUREMENT

STUDY NOTES

- * Measurement of length (Conversion of metres into centimetres)
- * Measuring a line Segment, Drawing a Line Segment of given length
- * Measuring weights
- * Measurement of capacity

1) Measurement of length (Conversion of metres into centimetres)

➤ EXPLANATION

Let us write
and learn

LENGTH

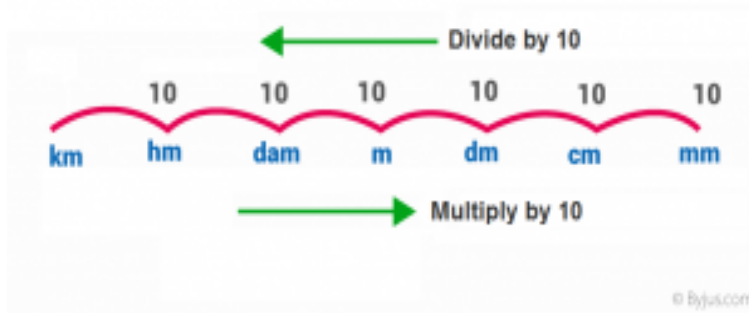
Length is the term used for identifying the size of an object or distance between two points.



- The standard unit of length is 'Metre'.
- We use 'cm' for centimetre, 'mm' for millimetre, 'm' for metre and 'km' for kilometre in short form.
- $1 \text{ km} = 1000 \text{ m}$
- $1 \text{ m} = 100 \text{ cm}$



LARGER ← ————— → SMALLER



LARGER ————— → SMALLER

Kilometre	Metres	Centimetres
1	1000	100,000



1 metre (m) = 100 centimetres (cm)

To convert 'metres' into
'centimetres' we multiply
with 100



REMEMBER

Metre is the standard unit of length.

Meters

EDUCATIONAL GROUP

$\div 100$ $\times 100$



Centimeters

➤ For example:

- 12 m

$$= 12 \text{ m} \times 100$$

$$= 1200 \text{ cm}$$

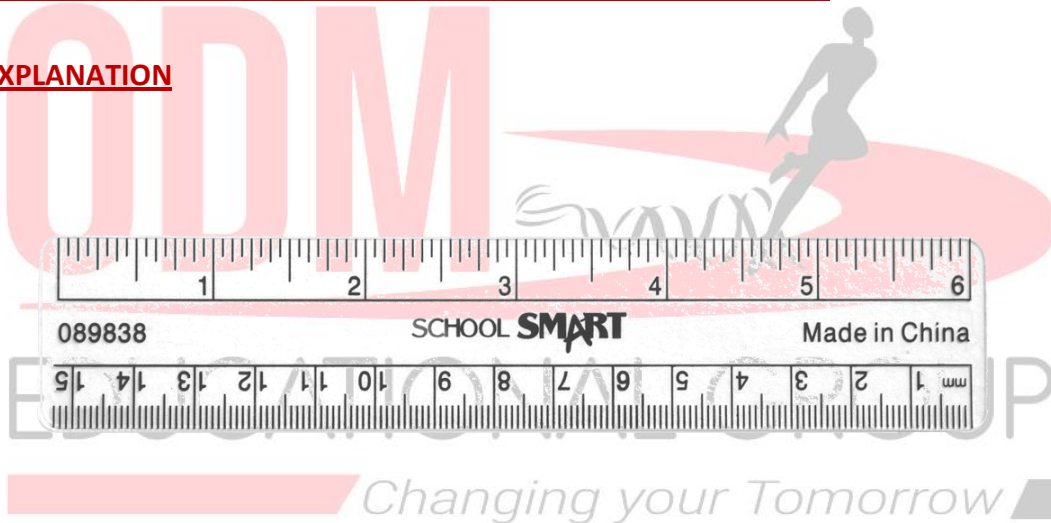
- 62 m 7 cm

$$62 \text{ m} = 62 \text{ m} \times 100 = 6200 \text{ cm}$$

$$62 \text{ m } 7 \text{ cm} = 6200 \text{ cm} + 7 \text{ cm} = 6207 \text{ cm}$$

2) Measuring a line Segment, Drawing a Line Segment of given length

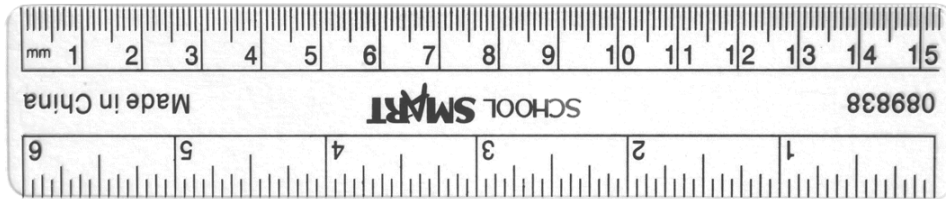
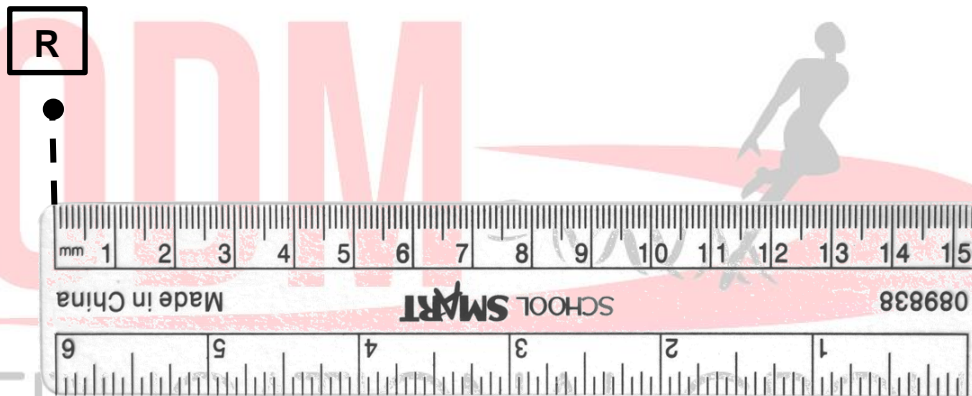
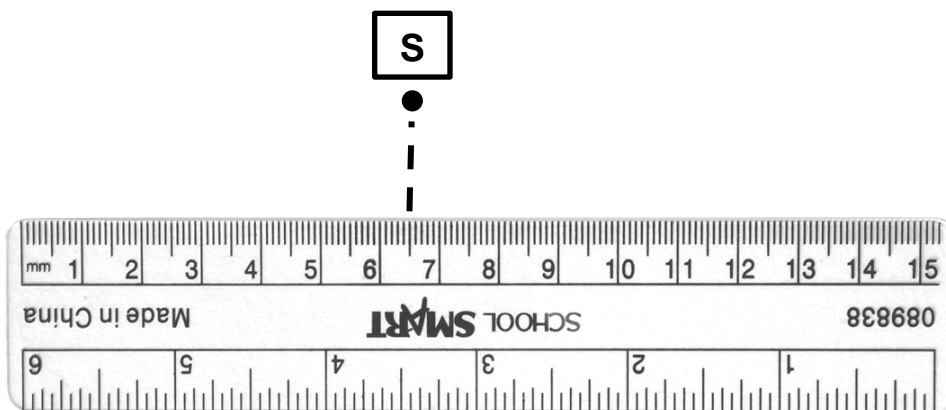
➤ EXPLANATION

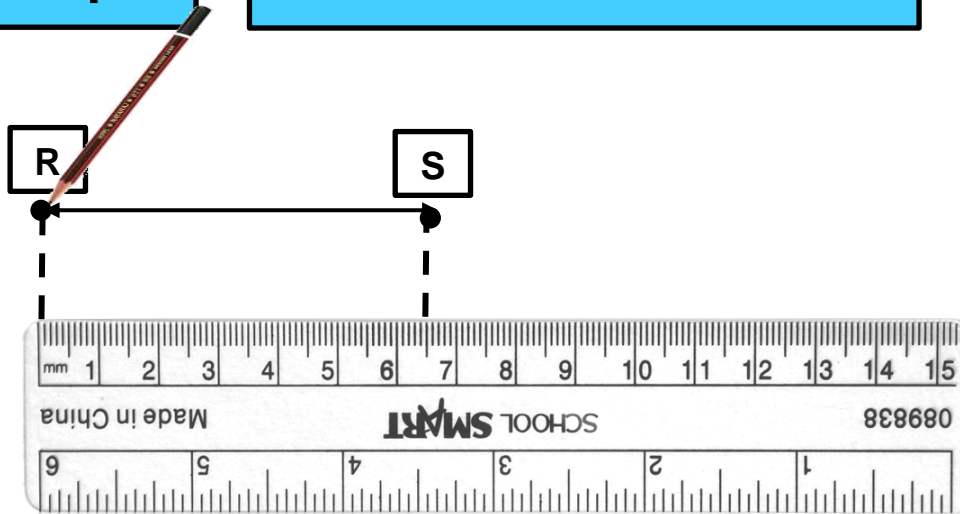


To measure the length of a given line segment we use a scale. We place the scale along the line segment. One end should be at the zero mark of the scale. The other end of the line segment where it points on the scale gives the length of the given line segment.

Let us learn the steps to draw a line segment.

Let us draw a line segment RS of 6.5 cm.

Step 1**Place the scale on a paper.****Step 2****Mark a point R at zero of the scale.****Step 3****Take 5 small divisions after 6 cm on the scale and mark S.**

Step 4**Draw a line from R to S .**

3) Measuring weights

➤ EXPLANATION

WEIGHT

Weight is measured in grams (g) and kilograms (kg). We use grams to weigh lighter objects and kilograms to weigh heavier objects.



- **The standard *unit of measurement of weight* is Kilogram.**
- **We use 'g' for gram, 'mg' for milligram and 'kg' for kilogram in short form.**
- **1 kg = 1000 g**



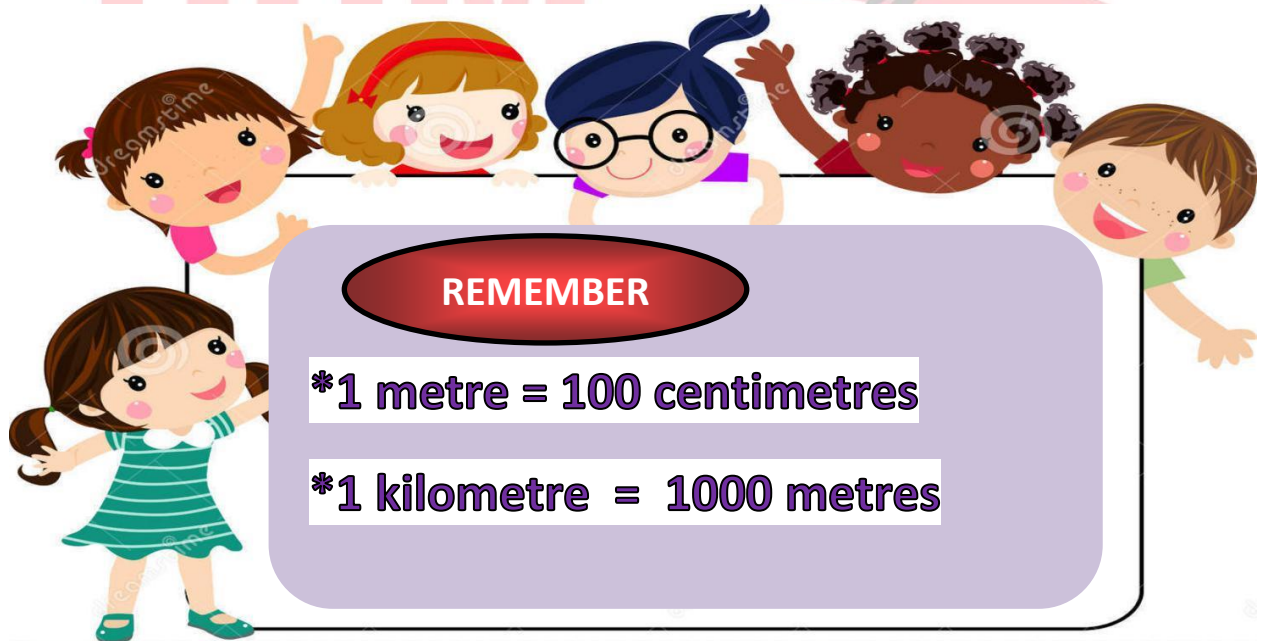
Things used in olden days to measure weight:



Things used now a days to measure weight:



ODM



➤ For example:



So, the weight of the apples is 1kg

4) Measuring capacity

➤ EXPLANATION

CAPACITY

Capacity is measured in liters (l) and millilitres (ml). We measure small quantity of liquid in millilitres and large quantity of liquid in litres. The standard unit of length is 'Litre'.



➤ **The standard *unit* of measurement of capacity is litre.**

➤ **We use 'l' for litre and 'ml' for millilitre in short form.**

➤ **1 l = 1000 ml**

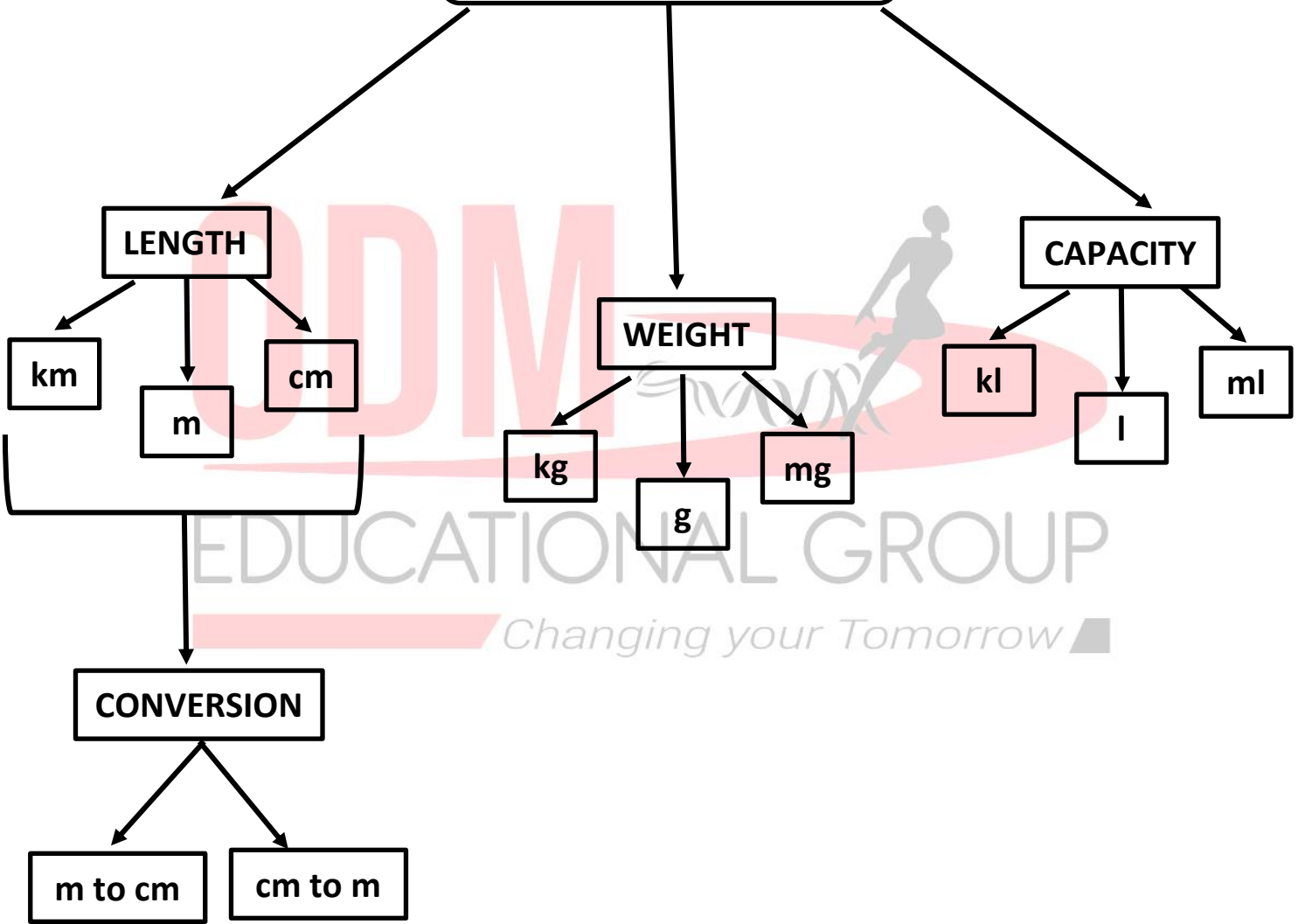


Things used to measure capacity :



MIND MAP

MEASUREMENT



-- END --

